

**PROJECT NAME:** \_\_\_\_\_

**LOCATION:** \_\_\_\_\_

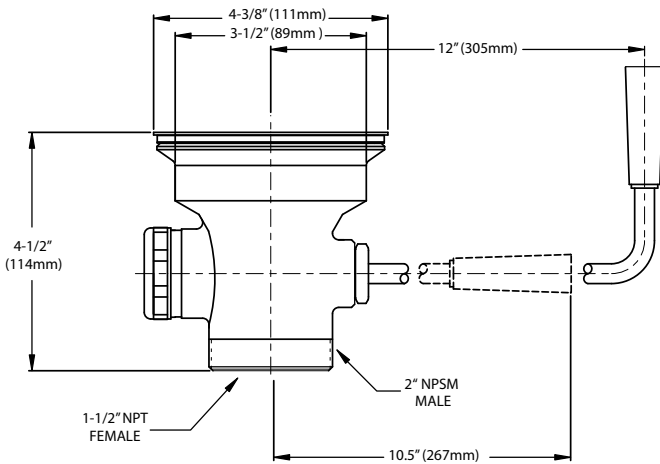
**SPECIFIER ITEM NO.** \_\_\_\_\_ **QTY:** \_\_\_\_\_

**ENCORE PART NO.** \_\_\_\_\_

Encore<sup>®</sup> Lever Handle Waste Outlet  
 with Capped Overflow

**D10-xxxx Series**

- D10-4160 2" NPS
- D10-4161 1-1/2" NPS
- D10-7300 1-1/2" NPS
- D10-7400 2" NPS



Dimensions shown in inches (mm) are for reference only  
 and are subject to change.

1-1/2" or 2" NPS Male waste outlet  
 Flow Rate: Max 20gpm

Approximate shipping weight - 4 lbs  
 Warranty - 2 years parts

Solid heavy duty cast body is specification and commercial quality

**Commercial Quality Features**

- Nickel plated cast brass drain body
- Self-centering stainless steel face flange
- Stainless steel lever handle

**SPECIFICATIONS:**

Lever handle waste outlet to be Encore D10 Series  
 in the following configuration:

- \_\_\_\_\_ D10-4160 2" NPS
- \_\_\_\_\_ D10-4161 1-1/2" NPS
- \_\_\_\_\_ D10-7300 1-1/2" NPS
- \_\_\_\_\_ D10-7400 2" NPS

Drain to have nickel plated solid all metal construction. D10-4160 and D10-4161 drains to be for 3" sink opening. D10-7300 and D10-7400 drains to be for 3-1/2" sink opening diameter. Drain to have self-centering stainless steel face flange with snap-in stainless steel strainer. Drain to be designed for trouble free fast drainage when the stainless steel lever handle is in the open position and has a positive sealing action when closed.