

Central Brass

C O M P A N Y

Brecksville, Ohio 44141

Phone: (216) 883-0220 Fax: (440) 526-5745

www.CentralBrass.com

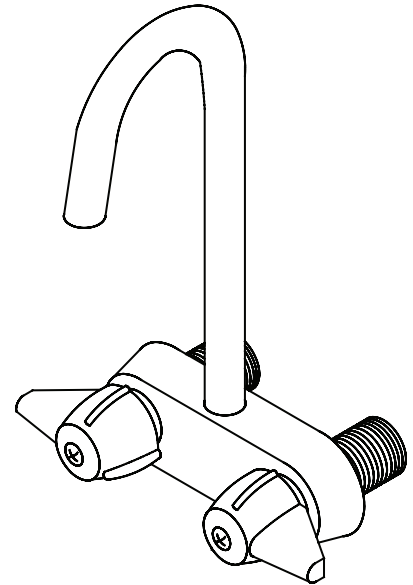
MODEL NO. 0209
LEG TUB FITTING

The leg tub fitting has a cast brass body with replaceable seats. The fitting body and spout are polished and chrome plated. The rigid gooseneck spout is 8-1/2 inches high with 11/16-inch OD brass tubing and a 1/16-inch wall thickness. The spout is equipped with a streamformer. The compression stems are all brass with a double O-Ring seal and rubber seat washer. The canopy handles are zinc die cast with a chrome plated finish.

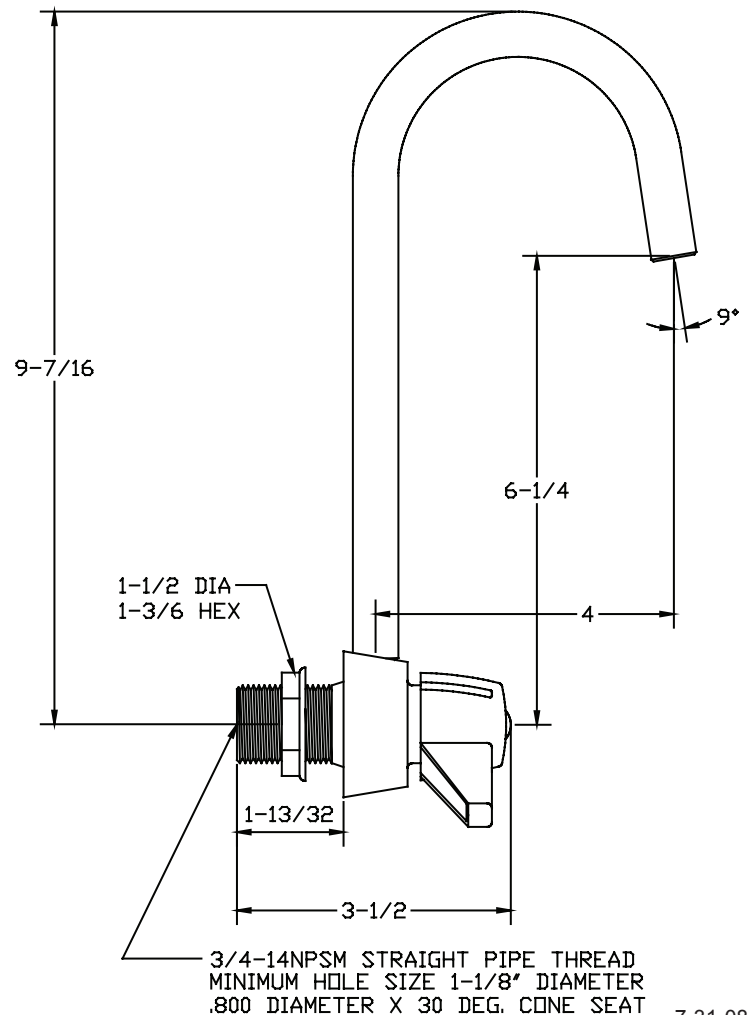
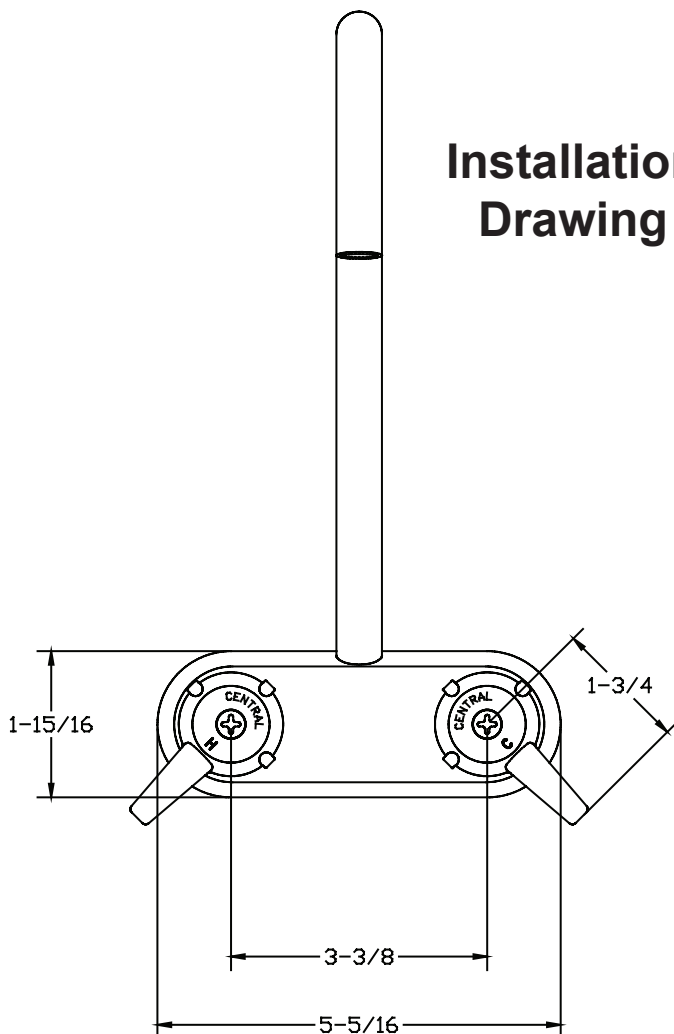
ADA Compliant and Meets ASME A112.18.1M



ADA Compliant



Installation Drawing



Central Brass

C O M P A N Y

Brecksville, Ohio 44141

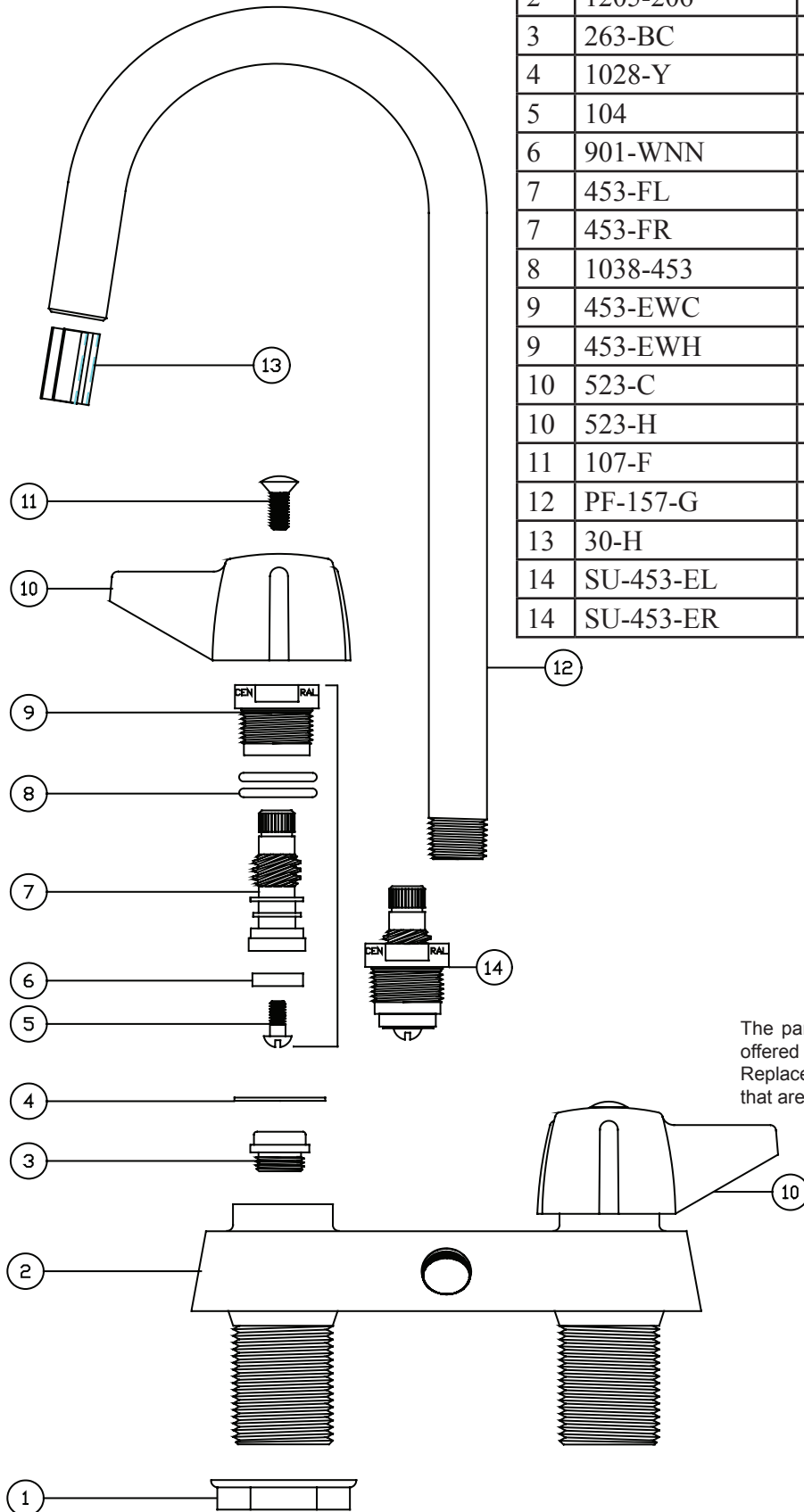
Phone: (216) 883-0220 Fax: (440) 526-5745

www.CentralBrass.com

MODEL NO. 0209
LEG TUB FITTING

Parts Breakdown

#	Part #	Description
1	4090-3/4	Zinc Locknut
2	1205-206	Brass Faucet Body
3	263-BC	Bronze Seat
4	1028-Y	Nylon Gasket
5	104	Brass Seat Washer Screw
6	901-WNN	Seat Washer
7	453-FL	Brass Left Thread O-Ring Stem
7	453-FR	Brass Right Thread O-Ring Stem
8	1038-453	O-Ring
9	453-EWC	Brass Left Thread O-Ring Bonnet
9	453-EWH	Brass Right Thread O-Ring Bonnet
10	523-C	Handle Indexed "C"
10	523-H	Handle Indexed "H"
11	107-F	Brass Phillips Head Screw
12	PF-157-G	8 1/2" Brass Rigid Gooseneck Spout
13	30-H	Brass Streamformer
14	SU-453-EL	Left Thread O-Ring Stem Assembly
14	SU-453-ER	Right Thread O-Ring Stem Assembly



The parts listed in the parts breakdown above may not be offered separately as replacement parts. Please review the Replacement Parts page for the authorized replacement parts that are available for this item.