

2013 PARTS PRICE BOOK

Residential & Commercial Steambaths and Towel Warmers

● **mr.steam**[®]

| Feel Good Inc.

hello@mrsteam.com

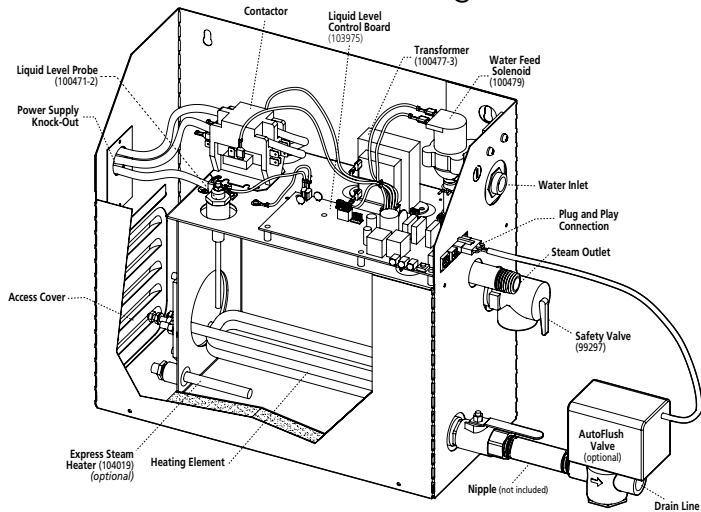
www.mrsteam.com

PUR 100295 2013 5K

"E" Series: Produced from June 2008 to Present, SN 90000 and higher

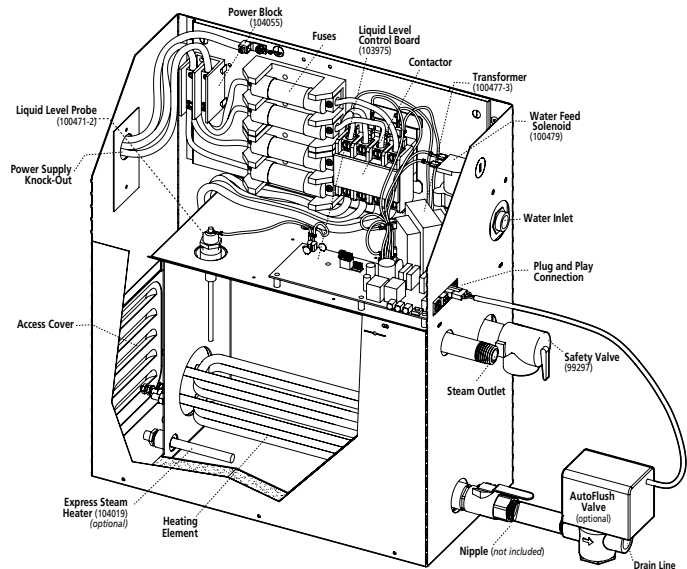
Models MS90E - MS400E

Shown with cover removed and with optional AutoFlush® and Express Steam® features.



Models Super1E- Super 6E

Shown with cover removed and with optional AutoFlush and Express Steam® features.



NOTE: All drawings are for illustrative purposes only. Some components may be omitted or altered for clarity. Do not use for wiring, repair or other purposes not related to component identification. Refer to appropriate manual for additional details.

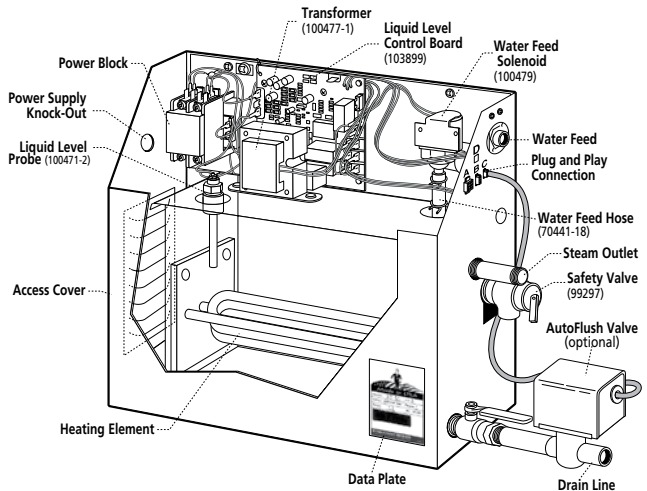
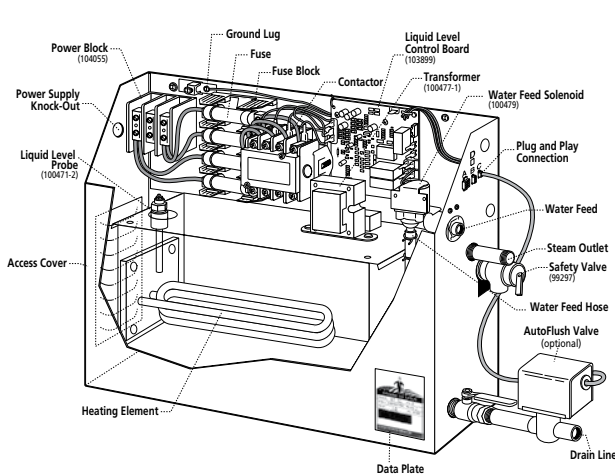
T" Series: Produced from April 2003 to May 2008, SN 355500 to 899999

Models 65T - MS 400T

Shown with cover removed and with optional AutoFlush

Models MS SUPER T - MS SUPER 6T

Shown with cover removed and with optional AutoFlush



MODELS MS 90E-400E, MS SUPER 1E-SUPER 6E

MODELS MS 65T-400T, MS SUPER 1T-SUPER 6T

PART No.	DESCRIPTION	PRICE
ELEMENTS		
29041BMS	4.5KW 208V 1PH MS65	\$330.00
29041CMS	4.5KW 240V 1PH MS65	330.00
29043CMS	4.5KW 240V 3PH MS65	330.00
29043BMS	4.5KW 208V 3PH MS65	330.00
29051BMS	5KW 208V 1PH MS90	330.00
29051CMS	5KW 240V 1PH MS90	330.00
29053CMS	5KW 240V 3PH MS90	330.00
29053BMS	5KW 208V 3PH MS90	330.00
29061BMS	6KW 208V 1PH MS150	330.00
29061CMS	6KW 240V 1PH MS150	330.00
29063CMS	6KW 240V 3PH MS150	330.00
29063BMS	6KW 208V 3PH MS150	330.00
29071BMS	7.5KW 208V 1PH MS225	330.00
29071CMS	7.5KW 240V 1PH MS225	330.00
29073BMS	7.5KW 208V 3PH MS225	330.00
29073CMS	7.5KW 240V 3PH MS225	330.00
29081BMS	8.5KW 208V 1PH MS300	330.00
29081CMS	8.5KW 240V 1PH MS300	330.00
29083BMS	8.5KW 208V 3PH MS300	330.00
29083CMS	8.5KW 240V 3PH MS300	330.00
29091BMS	9KW 208V 1PH MS400	330.00
29091CMS	9KW 240V 1PH MS400	330.00
29093BMS	9KW 208V 3PH MS400	330.00
29093CMS	9KW 240V 3PH MS400	330.00
29101BMS	10KW 208V 1PH MS SUPER 1	425.00
29101CMS	10KW 240V 1PH MS SUPER 1	425.00
29103BMS	10KW 208V 3PH MS SUPER 1	425.00
29103CMS	10KW 240V 3PH MS SUPER 1	425.00
29121BMS	12KW 208V 1PH MS SUPER 2	425.00
29121CMS	12KW 240V 1PH MS SUPER 2	425.00
29123BMS	12KW 208V 3PH MS SUPER 2	425.00
29123CMS	12KW 240V 3PH MS SUPER 2	425.00
29151BMS	15KW 208V 1PH MS SUPER 3	425.00
29151CMS	15KW 240V 1PH MS SUPER 3	425.00
29153BMS	15KW 208V 3PH MS SUPER 3	425.00
29153CMS	15KW 240V 3PH MS SUPER 3	425.00
99096MS	GASKET 4-1/2 INCHES DIA. (for all elements, compound not required)	13.00

Prices are FOB factory, Long Island City, NY • Prices are subject to change without notice • Handling charges apply to equipment, accessories and parts orders.

MODELS MS 90E-400E, MS SUPER 1E-SUPER 6E MODELS MS 65T-400T, MS SUPER 1T-SUPER 6T

PART No.	DESCRIPTION	PRICE
MISC. PARTS		
MSTS	ROOM SENSOR with Integral 30' Cable for E Series and T Series	\$150.00
MSTS-60	ROOM SENSOR with Integral 60' Cable for E Series and T Series	175.00
103904	12 Ft. CABLE for Connecting Two Generators	14.00
103917	30 Ft CABLE for Connecting up to Five Generators	42.00
100471-2	WATER LEVEL PROBE	42.00
100477-1	TRANSFORMER 208-240/24 VAC (MS "T" Models Only)	76.00
100477-3	TRANSFORMER 208-240/24 VAC (MS "E" Models Only)	82.00
100479	WATER FEED SOLENOID	93.00
70441-18	TUBING (Water Feed Hose)	8.00
99314	POWER FUSE 60A 250V MS SUPER 1T- 6T 1PH	13.00
104055	POWER BLOCK	43.00
103660	FUSE BLOCK	61.00
81500E	AUTOFLUSH® ASSEMBLY - 3 PIN	400.00
103899	LIQUID LEVEL CONTROL BOARD (MS "T" Models Only)	236.00
103975	LIQUID LEVEL CONTROL BOARD (MS "E" Models Only)	296.00
99502	GROUND LUG	7.00
103553	SILICONE SEALANT- Tube	20.00
CONTACTORS		
99012	24V 50A 3 POLE	\$168.00
100476-2	24V 40A 2 POLE	116.00
103453	24V 50A 4 POLE	292.00
VALVES		
99178MS	DRAIN VALVE	\$ 62.00
99297	15 PSIG SAFETY VALVE 3/4"	35.00

PART No.	DESCRIPTION	PRICE
iSTEAM		
104117-30	iSTEAM CABLE, 30 ft.	\$90.00
104116	iSTEAM ROUGH IN BOX	20.00
iMSTS	iSTEAM EXTERNAL PROBE	175.00
104115 BLK	iSTEAM CONTROL ONLY - Black	1050.00
104115 WH	iSTEAM CONTROL ONLY - White	1050.00
104128	iSTEAM RETROFIT ADAPTER CABLE	50.00

iSteam Control



iGenie



iGENIE/ STEAM GENIE		
104129 BLK	FOB iGENIE Black	\$150.00
104129 WH	FOB iGENIE White	150.00
104059	STEAM GENIE RECEIVER	225.00
104134	iGENIE HOLDER	25.00
104060	STEAM GENIE 5 FT. CABLE	30.00

SteamGenie



AUDIO WIZARD		
104132 BLK	CONTROL, Black	\$150.00
104132 WH	CONTROL, White	150.00
104126-30	30' CONTROL CABLE	40.00
104127	CONTROL ADAPTER	15.00

AudioWizard Control



iTEMPO and iTEMPO/PLUS CONTROLS and COVERS:

104108i	iTEMPO CONTROL - No Cover	\$400.00
104108iPLUS	iTEMPO PLUS CONTROL - No Cover	800.00
104109PC	ROUND iTEMPO & iTEMPO/PLUS CONTROL COVER Polished Chrome	\$75.00
104109__	ROUND iTEMPO & iTEMPO/PLUSCONTROL COVER Select finish below and add code	125.00
104106PC	SQUARE iTEMPO & iTEMPO/PLUS CONTROL Cover Polished Chrome	75.00
104106__	SQUARE iTEMPO & iTEMPO/PLUS CONTROL COVER Select finish below and add code	125.00
104107i	iTEMPO (3) BUTTON RUBBER KEY PAD	20.00
104107iPLUS	iTEMPO/PLUS (7) BUTTON RUBBER KEY PAD	30.00
103990-30	CONTROL CABLE 30'	63.00
103990-60	CONTROL CABLE 60'	105.00
MSTS	ROOM SENSOR 30'	150.00

iTempo Square



iTempo Round



iTempo/Plus Square



iTempo/Plus Round



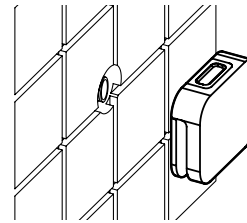
Designer Finish Codes for iTempo and iTempo/Plus controls:

- PC= Polished Chrome PB= Polished Brass
- PN= Polished Nickel BN= Brushed Nickel
- BB= Brushed Bronze ORB= Oil Rubbed Bronze
- RAW= Custom Plating

MODELS MS 90E-400E, MS SUPER 1E - SUPER 6E

MODELS MS 65T-400T, MS SUPER 1T - SUPER 6T

PART No.	DESCRIPTION	PRICE
STEAMHEADS for iSteam		
104104 BLK	iSteam Steamhead, Black	\$150.00
104104 WH	iSteam Steamhead, White	150.00

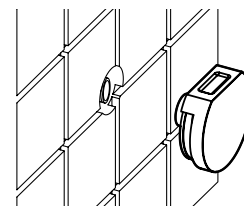


Steamhead for PN 104104

Identify the steamhead according to the illustration above. (Steamhead is 3”H x 3.5”W) End of steam supply nipple is recessed 1/4” behind finished surface. Compatible with iSteam control. See installation and operation manual for complete instructions.

ROUND STEAMHEADS for iTempo and iTempo/Plus

103937PC	STEAM HEAD ROUND Polished Chrome	\$125.00
103937BN	STEAM HEAD ROUND Brushed Nickel	200.00
103937ORB	STEAM HEAD ROUND Oil Rubbed Bronze	200.00
103937PB	STEAM HEAD ROUND Polished Brass	200.00
103937PN	STEAM HEAD ROUND Polished Nickel	200.00
103937BB	STEAM HEAD ROUND Brushed Bronze	200.00
10393 RAW	STEAM HEAD ROUND Raw	200.00
103938	ACRYLIC SHIELD (for use with 103937 Steamheads)	55.00

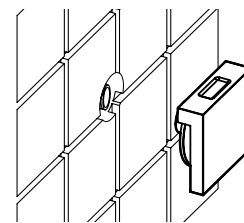


Steamhead PN 103937

Identify the steamhead according to the illustration above. (Steamhead is 3” diameter). End of steam supply nipple is recessed 1/4” behind finished surface. For generators with SN 741000 and higher*. See installation and operation manual for complete instructions.

SQUARE STEAMHEADS for iTempo and iTempo/Plus

104040PC	STEAM HEAD SQUARE Polished Chrome	\$125.00
104040BN	STEAM HEAD SQUARE Brushed Nickel	200.00
104040ORB	STEAM HEAD SQUARE Oil Rubbed Bronze	200.00
104040PB	STEAM HEAD SQUARE Polished Brass	200.00
104040PN	STEAM HEAD SQUARE Polished Nickel	200.00
104040BB	STEAM HEAD SQUARE Brushed Bronze	200.00
104040RAW	STEAM HEAD SQUARE Raw	200.00
103938SQ	ACRYLIC SHIELD (for use with 104040 Steamheads)	55.00



Steamhead for PN 104040

Identify the steamhead according to the illustration above. (Steamhead is 3” square). End of steam supply nipple is recessed 1/4” behind finished surface. For generators with SN 741000 and higher*. See installation and operation manual for complete instructions.

* For generators with SN below 741000, call customer/ technical service for information.

MS Residential Steambath Controls

mr.steam®

MODELS MS 90E-400E, MS SUPER 1E-SUPER 6E
eTempo Controls and eTempo Compatible Generators
SN 900000 and up

MODELS MS 65T-400T, MS SUPER 1T-SUPER 6T
Tempo Controls and Tempo Compatible Generators
SN 355500 to 899999

PART No.	DESCRIPTION	PRICE
eTEMPO and eTEMPO/PLUS CONTROL COVERS:		
For use with Models MS90E-MS 400E, MS SUPER 1E - MS SUPER 6E		
104053	eTEMPO CONTROL - No Cover	\$370.00
104053PLUS	eTEMPO PLUS CONTROL - No Cover	725.00
104002 PC	ROUND eTEMPO CONTROL COVER Polished Chrome	\$75.00
104002 __	ROUND eTEMPO CONTROL COVER Select finish below and add code	139.00
104003 PC	ROUND eTEMPO/PLUS CONTROL COVER Polished Chrome	75.00
104003 __	ROUND eTEMPO/PLUS CONTROL COVER Select finish below and add code	139.00
104004PC	SQUARE eTEMPO CONTROL Cover Polished Chrome	75.00
104004__	SQUARE eTEMPO CONTROL COVER Select finish below and add code	139.00
104005PC	SQUARE eTEMPO/PLUS CONTROL COVER Polished Chrome	75.00
104005__	SQUARE eTEMPO/PLUS CONTROL COVER Select finish below and add code	139.00
103932	TEMPO/eTEMPO (3) BUTTON RUBBER KEY PAD	18.00
104014	eTEMPO/PLUS (7) BUTTON RUBBER KEY PAD	17.00
103990-30	CONTROL CABLE 30'	63.00
103990-60	CONTROL CABLE 60'	105.00
MSTS	ROOM SENSOR - 30'	150.00

TEMPO AND TEMPO/PLUS CONTROLS: For use with Models MS 65T-MS 400T,
MS Super 1T-MS Super 6T (Generators SN 355500 to 899999 only)

104053T	ROUND TEMPO CONTROL - No Cover	\$370.00
104053TPLUS	ROUND TEMPO/PLUS CONTROL - No Cover	725.00
103902PC	ROUND TEMPO CONTROL COVER Polished Chrome	66.00
103932	TEMPO/ETEMPO KEY PAD	18.00
103933	TEMPO/PLUS KEY PAD	22.00
103905	CONTROL CABLE 30' for Tempo Control	49.00
103922	CONTROL CABLE 60' for Tempo Control	100.00
104032	CONVERSION CABLE Tempo control cable to eTempo or iTempo control cable	95.00

SMART CONTROLS & GENERATORS

NOTE: These parts are unique to Smart Controls and compatible generators.

815005	AUTOFLUSH - For Tempo Units 2 Pin	\$420.00
103675-1	LIQUID LEVEL CONTROL BOARD with integrated TDR	198.00
103608	CONTROL CABLE 30'	71.00
MSNC	EXTERNAL ROOM SENSOR for Smart/Two or Plus	163.00
MS 1-PC	SMART/ONE CONTROL Polished Chrome	500.00
MS PLUS-PC	SMART/PLUS CONTROL Polished Chrome	900.00
103831	WHITE DECAL for Smart/One Control	12.00
103630W	WHITE DECAL for Smart/Plus Control	15.00
103688W	WHITE DECAL for Smart/Two Control	15.00



eTempo Round



eTempo/Plus Round



eTempo Square



eTempo/Plus Square

Designer Finish Codes:
PC= Polished Chrome
PB= Polished Brass
PN= Polished Nickel
MB=Matte Black
PG= Polished Gold
BN= Brushed Nickel
AB= Antique Brass
BB= Brushed Bronze
ORB= Oil Rubbed Bronze

Prices are FOB factory, Long Island City, NY • Prices are subject to change without notice • Handling charges apply to equipment, accessories and parts orders.

PART No.	DESCRIPTION	PRICE
----------	-------------	-------

AROMASTEAM™ RESIDENTIAL OIL INJECTION SYSTEM

103861	PUMP HEAD	\$272.00
E01-1032	HOSE (per ft.)	9.00
103987	AROMASTEAM FILTER	117.00
103983	AROMASTEAM SYRINGE	15.00
103918	AROMASTEAM ATOMIZING NOZZLE	207.00
103936	MS AROMA DEMAND BUTTON	75.00
104023	AROMASTEAM COMPRESSION NUT	15.00



Aromasteam Oil Injection Pump



Aroma Essential Oil 1 Liter Bottle

AROMASTEAM ESSENTIAL OILS for Aromasteam System only

MS OIL 1	AROMASTEAM OIL, 1L. (33 oz.) Eucalyptus	\$100.00
MS OIL 2	AROMASTEAM OIL, 1L. (33 oz.) Lavender	100.00
MS OIL 3	AROMASTEAM OIL, 1L. (33 oz.) Evergreen	100.00
MS OIL 4	AROMASTEAM OIL, 1L. (33 oz.) Energizing Mint	100.00
MS OIL 5	AROMASTEAM OIL, 1L. (33 oz.) Breathe	100.00



ChromaSteam

CHROMASTEAM®

103960	28 LED REPLACEMENT CLUSTER for MS CHROMA	\$184.00
104119	72 LED REPLACEMENT CLUSTER for MS CHROMA-72	350.00
104024	CABLE ASSEMBLY for MS CHROMA eTempo	82.00

WALLSEAT

104052PC	HARDWALL BRACKET KIT- Polished Chrome	\$63.00
104052BN	HARDWALL BRACKET KIT- Brushed Nickel	68.00
104052ORB	HARDWALL BRACKET KIT- Oil Rubbed Bronze	68.00



Wall Seat

MS LIGHT

104073	BULB REPLACEMENT 13 Watt, Compact Fluorescent	\$55.00
--------	---	---------



MS Light

CHAKRA OILS - 10 ml bottles with integrated dropper

104006	VITATLITY RED	\$35.00
104007	INVIGORATIONG ORANGE	35.00
104008	YELLOW AWAKENING	35.00
104009	GREEN HARMONY	35.00
104010	CELESTIAL BLUE	35.00
104011	MYSTIC INDIGO	35.00
104012	VIOLET NIRVANA	35.00
MS CHAKRA7	7-PACK	175.00



Chakra Oils

AROMASTEAM ESSENTIAL OILS - 10 ml bottles with integrated dropper

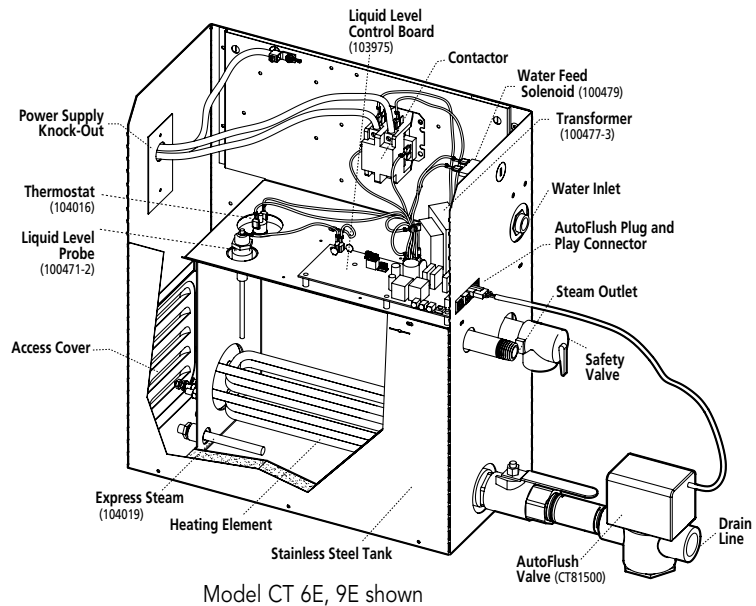
103810	AROMASTEAM OIL, Eucalyptus	\$30.00
103811	AROMASTEAM OIL, Lavender	30.00
103812	AROMASTEAM OIL, Evergreen	30.00
103813	AROMASTEAM OIL, Energizing Mint	30.00
103814	AROMASTEAM OIL, Breathe	30.00
MSESENTIAL5	5-PACK one of each fragrance	125.00



Aroma Oils

Models CT 6E, 9E, 12E, 15E

Shown with cover removed and with optional AutoFlush



NOTE: All drawings are for illustrative purposes only. Some components may be omitted or altered for clarity. Do not use for wiring, repair or other purposes not related to component identification. Refer to appropriate manual for additional details.

PART No.	DESCRIPTION	PRICE
EXPRESS STEAM		
104015	EXPRESS STEAM THERMOSTAT	\$55.00
104019	HEATING ELEMENT FOR EXPRESS STEAM (for SN916918 and higher only)	183.00
STEAMHEADS		
103937PC	STEAMHEAD - Polished Chrome	\$125.00
103937 __	STEAMHEAD - Add Finish Code, see below.	200.00

DESIGNER FINISH CODES:

PC= Polished Chrome PB= Polished Brass PN= Polished Nickel
 ORB= Oil Rubbed Bronze BN= Brushed Nickel BB= Brushed Bronze RAW= Unfinished

ELEMENTS

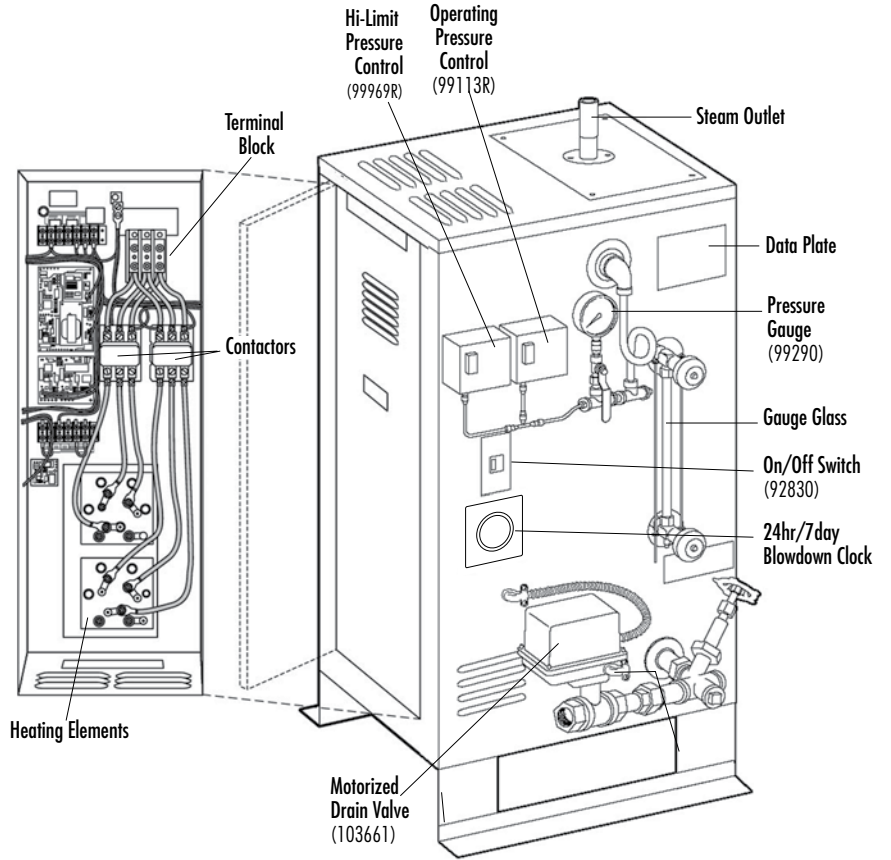
29061 BMS	6KW 208V 1PH CT6E	\$330.00
29061 CMS	6KW 240V 1PH CT6E	330.00
29091 BMS	9KW 208V 1PH CT9E	330.00
29091 CMS	9KW 240V 1PH CT9E	330.00
29121 BMS	12KW 208V 1PH CT12E	425.00
29121 CMS	12KW 240V 1PH CT12E	425.00
29151 BMS	15KW 208V 1PH CT15E	425.00
29151 CMS	15KW 240V 1PH CT15E	425.00

OTHER ACCESSORIES

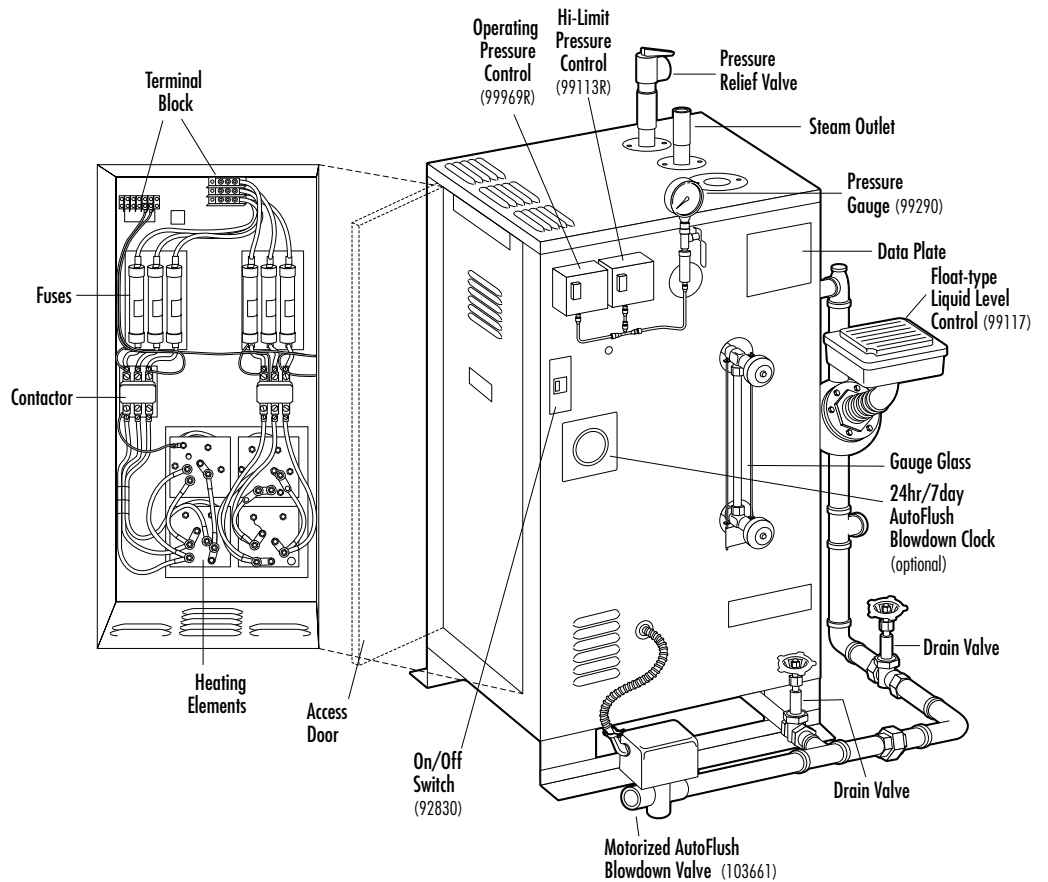
CT81500	AUTOFLUSH ASSEMBLY 1" NPT	\$400.00
CT-STEAMSTOP	START/STOP BUTTON	150.00
103978-60	60 FOOT CABLE	119.00
104016	HIGH LIMIT THERMOSTAT	78.00

NOTE: For other component parts, see page 3.

CU 360-CU 1400
 Typical Component
 Arrangement



CU 2000-4500
 with Digital 1,
 Clock and Blowdown



MODELS CU 360 - CU 4500

PART No.	DESCRIPTION	PRICE
BLOWDOWN		
99353	TIME DELAY RELAY BOARD	\$138.00
103805	MECHANICAL MIL 72* BLOWDOWN TIMER - Analog	216.00
103662	FIELD KIT DIGI 20* BLOWDOWN TIMER - Digital LED Screen	211.00
103661	1" VALVE to any Blowdown Valve	1,301.00

*Both MIL 72 and DIGI 20 BLOWDOWN TIMERS are available for surface mounting. Add suffix "K" to Part Number

CONTACTORS

99003	50A 3 POLE 120V 50/60	\$237.00
99006B	50A 4 POLE 120V 50/60	359.00
99075	60A 3 POLE 120V 50/60	320.00
102206-1	75A 3 POLE 120V 50/60	458.00

CONTROLS

COMPONENTS FOR DIGITAL 1 CONTROL

104066	D1 PLUS CONTROL ONLY 120V	\$237.00
104066C	D1 PLUS CONTROL ONLY 240V	227.00
104067-1	SENSOR ONLY FOR D1 PLUS with Guard	191.00
100886	BULB GUARD D1 SENSOR	21.00
CU-104066	D1 PLUS FIELD KIT 120V with Sensor + Guard, Cable	582.00
CU-104066C	D1 PLUS FIELD KIT 240V with Sensor + Guard, Cable	582.00
99216B	CU-30 MINUTE MECHANICAL TIMER	74.00
99216DIG	DIGITAL TIMER	509.00

COMPONENTS FOR F1 CONTROL

103730	F1 PLUS CONTROL ONLY 120V	\$221.00
103730C	F1 PLUS CONTROL ONLY 240V	210.00
103731-1	SENSOR ONLY FOR F1 PLUS with Guard + 25' Cable	149.00
103731-100	SENSOR ONLY FOR F1 PLUS with Guard + 100' Cable	216.00
100886	BULB GUARD F1 SENSOR	21.00
CU-99204R	ROOM TEMPERATURE CONTROL-Honeywell	228.00
99216B	CU-30 MINUTE MECHANICAL TIMER	74.00
99216DIG	DIGITAL TIMER	509.00

PART No.	DESCRIPTION	PRICE
ELEMENTS		
29091B	9 KW 208V 1 PH	\$450.00
29091C	9 KW 240V 1 PH	450.00
29093B	9 KW 208V 3 PH	400.00
29093C	9 KW 240V 3 PH	400.00
39121B	12 KW 208V 1PH	450.00
39121C	12 KW 240V 1PH	450.00
39123B	12 KW 208V 3PH	450.00
39123C	12 KW 240V 3PH	450.00
39123F	12 KW 480V 3PH	450.00
39181B	18 KW 208V 1PH	550.00
39181C	18 KW 240V 1PH	550.00
39183B	18 KW 208V 3PH	465.00
39183C	18 KW 240V 3PH	465.00
39183F	18 KW 480V 3PH	465.00
99088	GASKET COMPOUND	8.00
99096	GASKET 4 1/2" DIA.	13.00
103540	GASKET KIT (includes gasket, hardware, bolts & compound)	22.00
99547B	BOLT KIT FOR ELEMENT (6 Pcs)	12.00



DIGITAL-1 CONTROL



F1 CONTROL

MODELS CU 360 - CU 4500

PART No.	DESCRIPTION	PRICE
ELECTRICAL		
100886	BULB GUARD	\$ 21.00
90229	PROBE SPARK PLUG-(1) for each rod w/o Probe Rod	58.00
92830	ON/OFF SWITCH	28.00
99207	TERMINAL BLOCK 150 AMP 3 POLE	71.00
99524-6T	18" #6 WIRE WITH TERMINAL-FOR HEATING ELEMENT	20.00
99807B	1/4" x 9" PROBE ROD STAINLESS** CU360-CU1400-low water	22.00
99807C	1/4" x 6" PROBE ROD STAINLESS** CU360-CU140- high Water	22.00
103127	DUAL PROBE LL PC BOARD 120V CU360-CU1400	352.00
103127-1	DUAL PROBE LL PC BOARD 240V CU360-CU1400	384.00
100378	PROBE ISOLATOR	81.00
90229-1	AUX LWCO PROBE ASSEMBLY HWCO PROBE	95.00
90241MRT	AUX LWCO BOARD (All CU Models)	492.00
92829	AUX LWCO PILOT LIGHT	15.00
99348	AUX LWCO RESET BUTTON	38.00
90241D	HIGH WATER LEVEL CONTROL	159.00
99315	FUSE BLOCK 208/240V	65.00
99314	POWER FUSES 208/240V 60A 250V	13.00
99317	FUSE BLOCK 480V	93.00
99316	POWER FUSES 480V 60A 600V	41.00
99580	TERMINAL BLOCK 4 POLE	19.00
99593	TERMINAL BLOCK	235.00
103538C	LEVEL CONTROL BOARD beginning with SN # AXD-4953 (CU360-1400 only)	460.00
**Also CU1000 -1400 w/SN beginning with "AX"		
GAUGE GLASS		
99074-1	GAUGE GLASS with 2 Gaskets (CU360 - 750) 7 7/8" long	\$32.00
	GAUGE GLASS with 2 Gaskets (CU1000 - 1400) 7 7/8" long (SN beginning with "AX")	32.00
99080-1	GAUGE GLASS with 2 Gaskets (CU1000 - CU1400) 9 7/8" long (SN beginning with "N")	39.00
	GAUGE GLASS with 2 Gaskets (CU2000 - CU3000) 9 7/8" long	39.00
99081-1	GAUGE GLASS with 2 Gaskets (CU4500) - 11 3/4"	44.00
99174CV	GAUGE GLASS O-RING GASKET- VITON WASHER	8.00
99173C	GAUGE GLASS VALVE SET less tubes and rods	102.00
MECHANICAL FEEDER		
99114	MECHANICAL LOW WATER CUTOFF & FEEDER M/M No.150 (CU2000 - CU4500)	\$767.00
103914	MICRO SWITCH ASSY	422.00
SA150-14	HEAD GASKET	18.00
SA150-11	FLOAT ROD & BALL ASSEMBLY	392.00

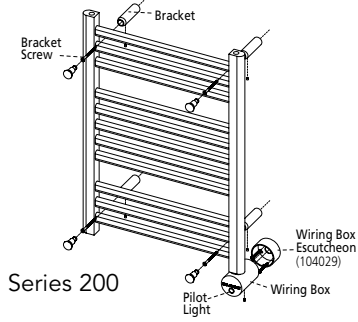
Prices are FOB factory, Long Island City, NY • Prices are subject to change without notice • Handling charges apply to equipment, accessories and parts orders.

MODELS CU 360 - CU 4500

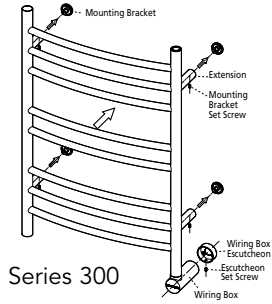
PART No.	DESCRIPTION	PRICE
WATER FEED AND STEAM SOLENOIDS		
99031	1/2" 120V WATER FEED (CU2000 - CU4500)	\$255.00
99032	1/2" 240V WATER FEED (CU2000 - CU4500)	257.00
99042	1/4" 120V WATER FEED (CU360 - CU1400)	225.00
99042C	1/4" 240V WATER FEED (CU360 - CU1400)	233.00
99284A	LOW PRESSURE STEAM 120V 1"	383.00
99285A	LOW PRESSURE STEAM 120V 1/2"	298.00
99284B	LOW PRESSURE STEAM 240V 1"	423.00
99285B	LOW PRESSURE STEAM 240V 1/2"	307.00
99286A	LOW PRESSURE STEAM 120V 3/4"	322.00
PRESSURE CONTROLS		
99113R	OPERATING PRESSURE CONTROL 0-15 PSIG	\$237.00
99290	PRESSURE GAUGE 0-30 PS	78.00
99969R	HI-LIMIT CONTROL W/MANUAL RESET 15PSIG	394.00
FB023	PIGTAIL 1/4" NPT 180°	22.00
VALVES		
99123	STRAINER 1/2" INCH	\$54.00
99167	SPRING CHECK VALVE 1/2"	85.00
99178	VALVE 1/2 STEAM BALL	65.00
99182	VALVE GATE VALVE 3/4" STEAM	145.00
99184	VALVE GATE VALVE 1 STEAM	201.00
99297	15 PSIG SAFETY VALVE 3/4" - CU360 - CU1400	35.00
99132	15 PSIG SAFETY VALVE 1/2" - CU2000	338.00
99297V	15 PSIG SAFETY VALVE 3/4" - CU3000 - CU3500	418.00
99141	15 PSIG SAFETY VALVE 1" - CU4500	814.00
MISC. PARTS		
103984 PC	STEAM HEAD - 3/4" Polished Chrome	\$131.00
103985	ACRYLIC SHIELD (for use with 103984 Steamhead)	50.00
99212-99PC	STEAM HEAD - Polished Chrome	105.00
103412	ACRYLIC SHIELD (for use with 99212-34 steamhead)	47.00
99216B	30 MINUTE MECHANICAL TIMER	74.00
99216DIG	30 MINUTE DIGITAL COUNTDOWN TIMER	509.00
104072	STEAM VENT	209.00
AROMAFLO COMMERCIAL OIL INJECTION SYSTEM		
103861	PUMP HEAD	\$272.00
E01-1032	HOSE (per ft.)	9.00
103987	AROMASTEAM FILTER	117.00
103983	AROMASTEAM SYRINGE	15.00
103918	AROMASTEAM ATOMIZING NOZZLE	207.00
CU-EUCALYPTUS	OIL, EUCALYPTUS 1.0 GAL	135.00
CU-LAVENDER	OIL, LAVENDER 1.0 GAL	135.00

Prices are FOB factory, Long Island City, NY • Prices are subject to change without notice • Handling charges apply to equipment, accessories and parts orders.

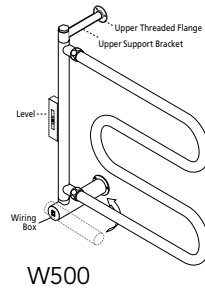
Mounting Diagrams



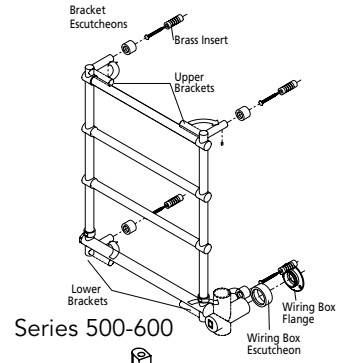
Series 200



Series 300



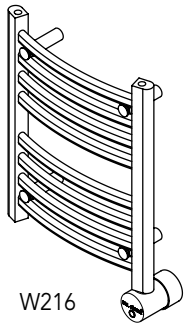
W500



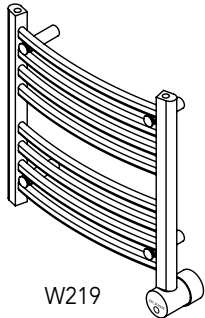
Series 500-600

Series 200 Towel Warmer

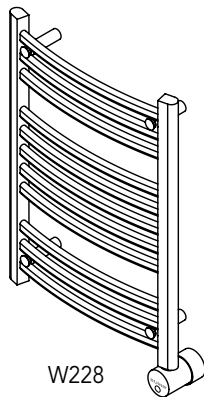
Broadway Collection



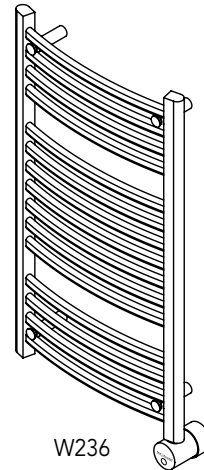
W216



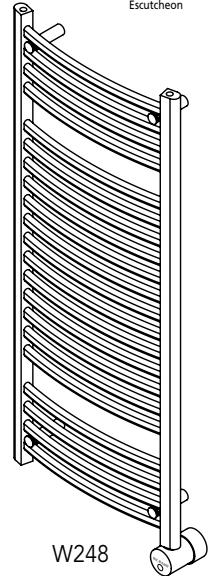
W219



W228



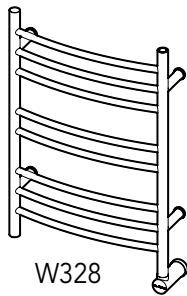
W236



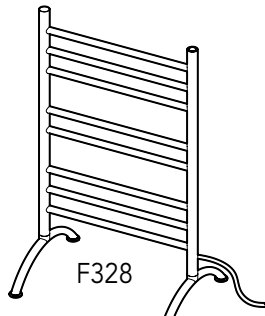
W248

Series 300 Towel Warmer

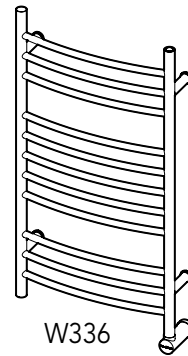
Metro Collection



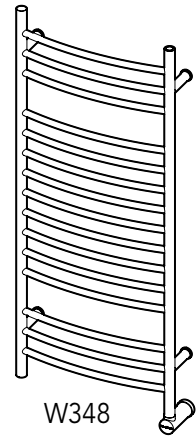
W328



F328



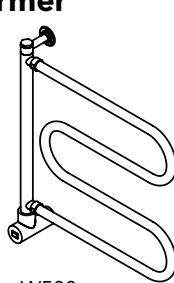
W336



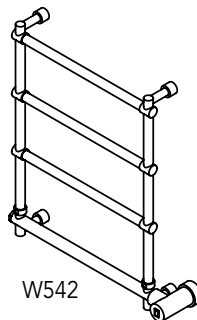
W348

Series 500-600 Towel Warmer

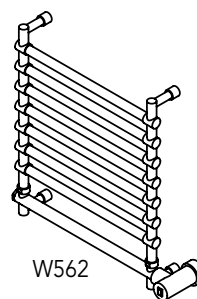
Fifth Avenue Collection



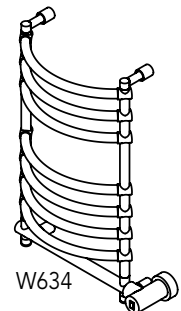
W500



W542



W562



W634

PART No.	DESCRIPTION	PRICE
LIGHTS AND INDICATORS		
103949	ON/OFF SWITCH - Series 500 (through SN 40560)	\$17.00
104028	PILOT LIGHT for Series 200 (SN 40560 and up) and Series 300	16.00
104050	PILOT LIGHT for Series 500	16.00
HARDWARE FOR SERIES 200		
104029PC	MOUNTING BRACKET SET - Polished Chrome	\$176.00
104029WH	MOUNTING BRACKET SET - White	176.00
104029ORB	MOUNTING BRACKET SET - Oil Rubbed Bronze	183.00
104031PC	ESCUTCHEON for Wiring Box - Polished Chrome	28.00
104031WH	ESCUTCHEON for Wiring Box - White	28.00
104031ORB	ESCUTCHEON for Wiring Box - Oil Rubbed Bronze	30.00
104093-PC	WALL PLATE- Polished Chrome	32.00
104093-WH	WALL PLATE- White	32.00
104093-ORB	WALL PLATE- Oil Rubbed Bronze	79.00
HARDWARE FOR SERIES 300		
104090-SSB	MOUNTING BRACKET SET - Brushed Stainless Steel	\$131.00
104090-SSP	MOUNTING BRACKET SET - Polished Stainless Steel	131.00
104091-SSB	ESCUTCHEON for Wiring Box - Brushed Stainless Steel	21.00
104091-SSP	ESCUTCHEON for Wiring Box - Polished Stainless Steel	21.00
104093-SSB	WALL PLATE - Brushed Stainless Steel	32.00
104093-SSP	WALL PLATE - Polished Stainless Steel	32.00
HARDWARE FOR 500 & 600 SERIES		
103968	MOUNTING BRACKET SET - W500 (select finish below and add code)	\$125.00
103969	MOUNTING BRACKET SET - W542, W634 (select finish below and add code)	230.00
103971	MOUNTING BRACKET SET - H542 (select finish below and add code)	230.00
103959	Optional MOUNTING BRACKETS - H542 (select finish below and add code)	120.00
103949	TOGGLE SWITCH - All 500s (select finish below and add code)	17..00

PC= Polished Chrome PN - Polished Nickel BN= Brushed Nickel ORB= Oil Rubbed Bronze

ConnectwithUs



We'd love to hear from you.
Let us keep you up to date on all things steam,
and of course, make sure you're feeling good.

Web: Visit mrsteam.com for additional information including product specifications, locating a dealer, sizing calculator technical downloads and other resources.

Call: Monday - Friday: 8 am to 7 pm EST
East Coast 1.800.767.Steam (767-8326)
West Coast 1.800.727.Steam (727-8326)
Worldwide 1.718.937.4500

Email: hello@mrsteam.com

Fax 24/7: East Coast 718.472.3256
West Coast 310.216.2944



Mr. Steam® products have one or more of the following recognized approvals:

Built to
ASME B & PV
CODE



City of
Los Angeles
Approved



©2013 Sussman-Automatic Corporation®

MR. STEAM and des., AromaFlo, AutoFlush, Butler Package, ChromaSteam, Clean Steam...Every Time, Club Therapy, Digital 1, Express Steam, iSizing, iSpa Package, iSteam, Making Wellness a Way of Life, MusicTherapy, Spa Package, Steam Genie, Steam on Demand, Steam@Home, SteamTherapy, Sussman, Valet Package and Virtual Spa System are registered trademarks of Sussman-Automatic Corporation. AudioWizard, HomeWizard, iButler, iGenie, iTempo, iTempo/Plus, Smart Sizing, SteamStart, SteamStop and The Intelligent Steambath are trademarks of Sussman-Automatic Corporation. PUR 100295 2013 5K